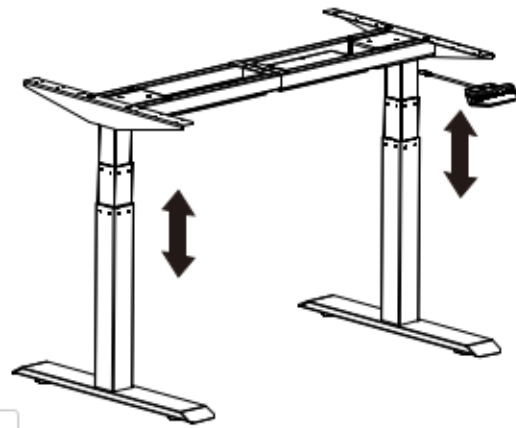


Fitnest

Installation guide



Accessory list

Attention: The drawings below are only for reference which might be slightly different from the actual object, please in kind prevail. Any tools missing or installation problems, please contact the customer service firstly.

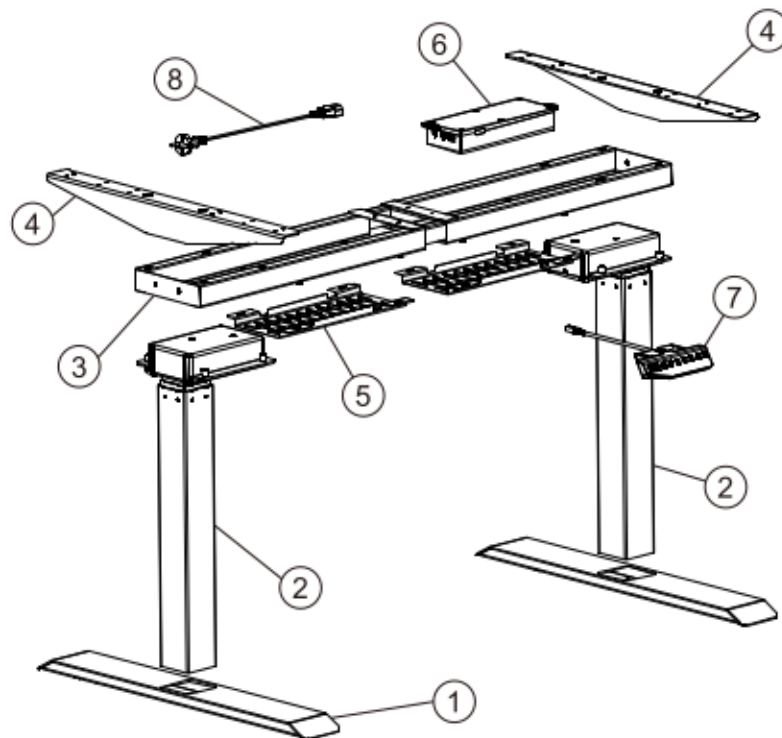
No.	Image	Spec	Qty
A		M6×16mm	8
B		ST4.2x20mm	26
C		M8×35mm	8
D		Adhesive Pad	6
E		Allen Key 4x4mm Allen Key 5x5mm	1

Technical data

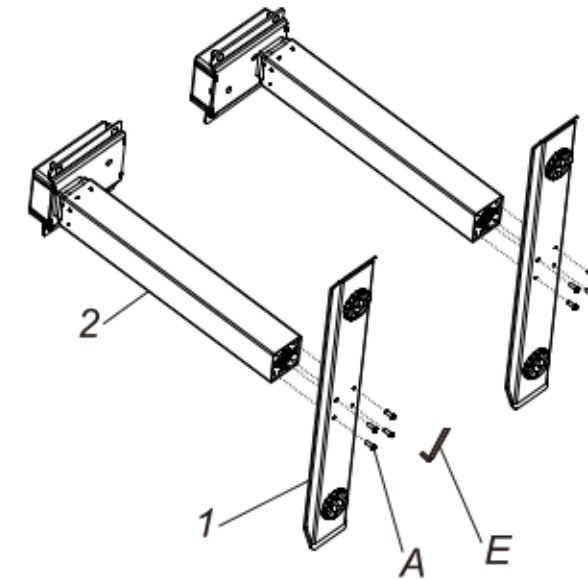
Column Stage	3	Input Voltage	100-240V
Max. Weight Capacity	125KG	Max Speed	38mm/s
Height Range	600-1230mm	Temperature	0-40°C
Width Range	1100-1800mm	Certification	CE FCC CUL
Duty Cycle	10%, Max. 2 min on/ Min. 18 min off		

Component list

No.	Part	Qty	No.	Part	Qty
①	Feet	2	②	Lifting Column	2
No.	Part	Qty	No.	Part	Qty
③	Supporting Beam	1	④	Side Bracket	2
No.	Part	Qty	No.	Part	Qty
⑤	Cable Management Tray	2	⑥	Control Box	1
No.	Part	Qty	No.	Part	Qty
⑦	Hand Switch	1	⑧	Power Plug	1

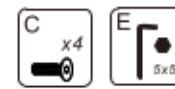


STEP 1

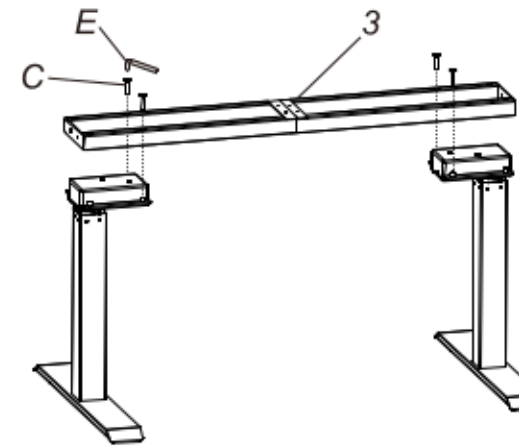


Place the feet(1) on the bottom of the lifting column(2). Fix the feet using screws(A) with Allen Key(E)

STEP 2



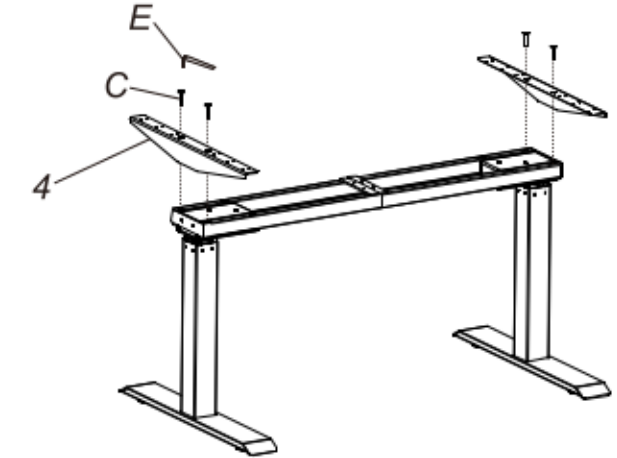
Insert the lifting columns into the ends of the supporting beam(3). Fix the lifting columns using screws(C) with the Allen Key(E).



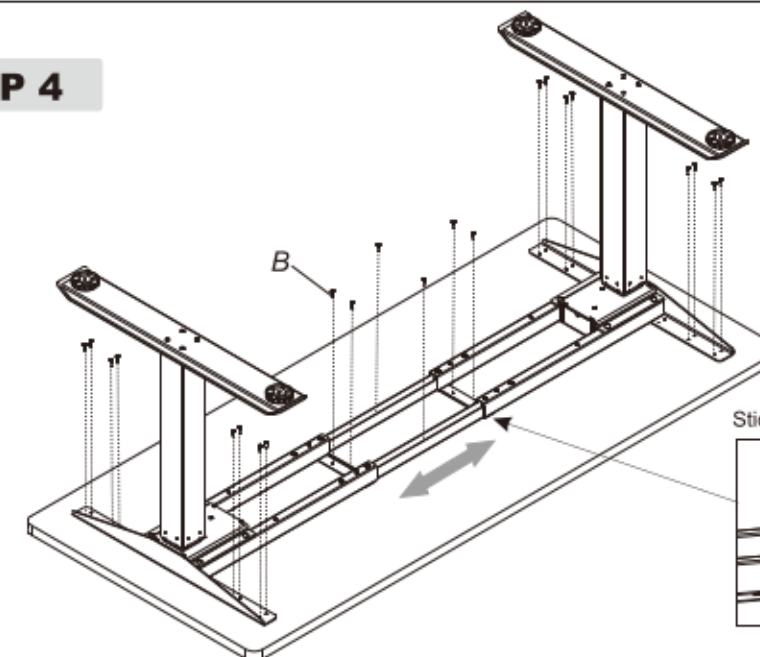
STEP 3



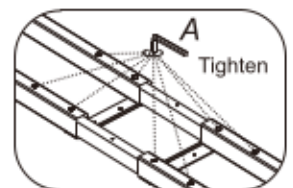
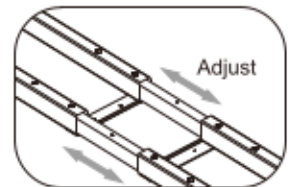
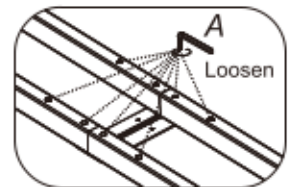
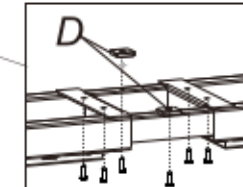
Attach the side brackets(4) to the ends of the supporting beam using screws(C) as show with the Allen Key(E).



STEP 4

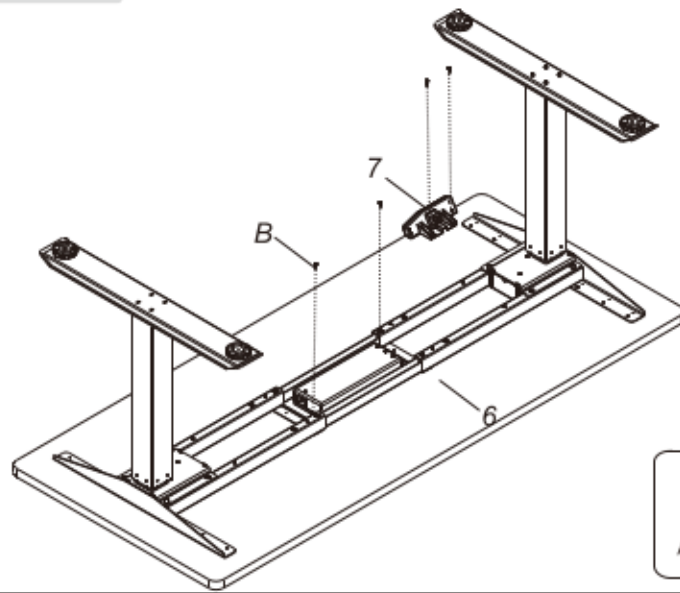


Stick the adhesive pad(D)

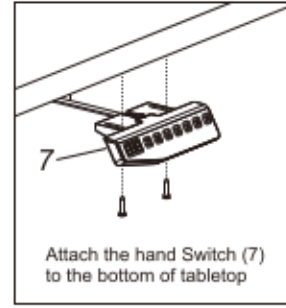


STEP 5

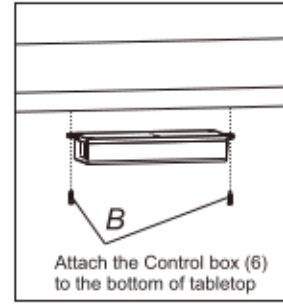
B x2



Attention Please choose a proper position according to actual circumstance.



Attach the hand Switch (7) to the bottom of tabletop

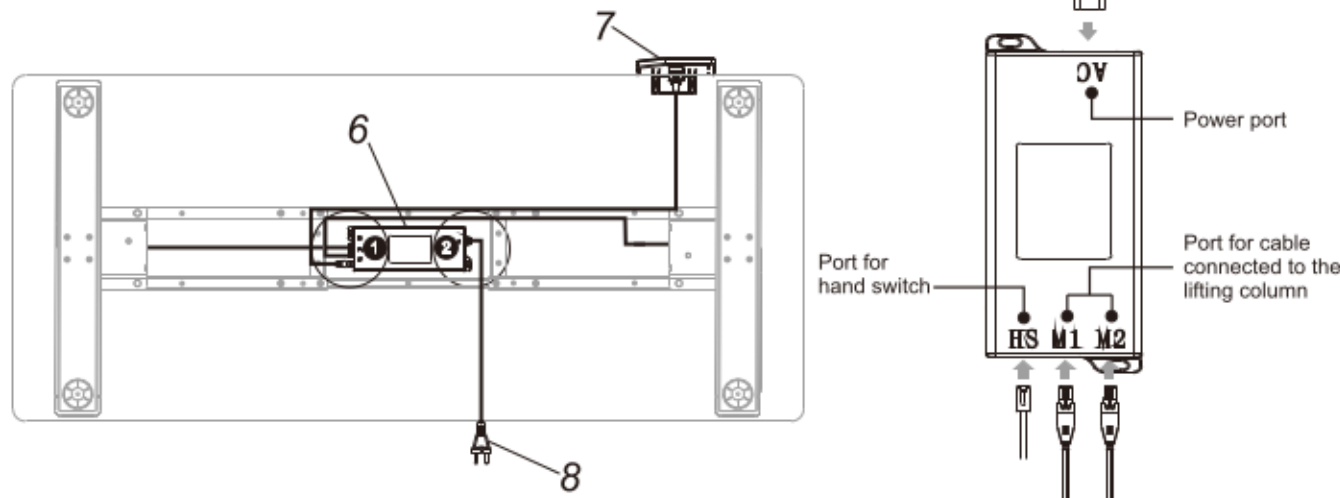


Attach the Control box (6) to the bottom of tabletop

Attention The control box (6) can be attached to the cable management tray (5) or the tabletop as shown. However, if you use CB38M2A(1B) control box, it has to install to the tabletop only. Otherwise, the anti-collision system will not work well.

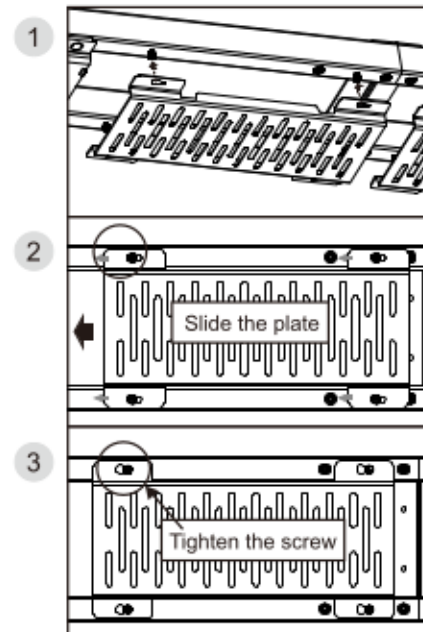
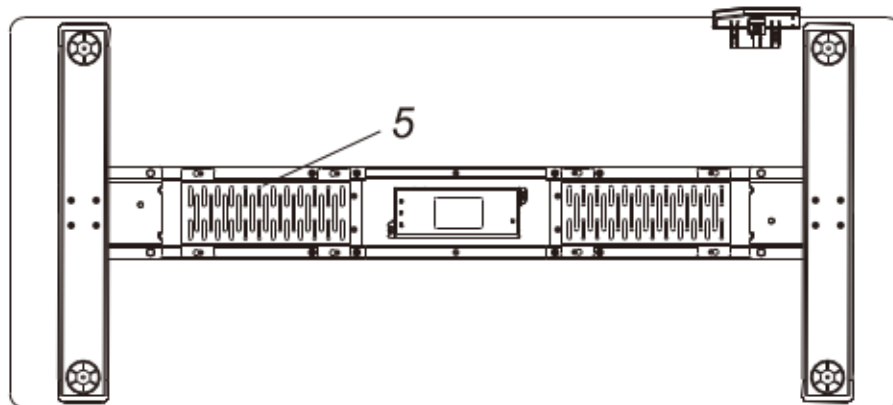
STEP 6

Connect the cables to the control box (6) as shown in the diagram below.



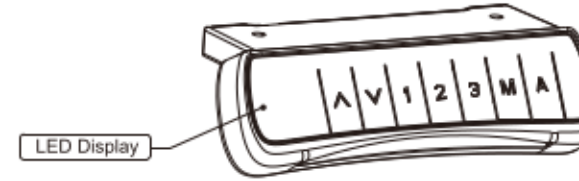
STEP 7

Install the cable management tray(5)



How to use handswitch

Button



Bottom introduction: There are seven buttons that

"▲", "▼", "1", "2", "3", "M", "A"

- (1) "▲": Adjust the desk upwards
- (2) "▼": Adjust the desk downwards
- (3) "1": Position 1, first height position saved by the user
- (4) "2": Position 2, second height position saved by the user
- (5) "3": Position 3, third height position saved by the user
- (6) "M": Height memory function
- (7) "A": Alert button to remind users changing posture

Instruction

- Height Adjustable Function:
Press the "▲" or "▼" button to adjust the height. The LED display shows the current height.
- Height Memory Function:
a. Press UP or DOWN button and adjust the height to the desired height. Press "M" to save the height, and the screen will display "5-"; Press "1", "2", or "3" then, that is, save the height to the corresponding position 1 or 2 or 3, which will show in the display screen as "5-1", "5-2", or "5-3";
b. Press "1", "2" and "3" button directly to automatically adjust the memory height you saved.
- Reminder Function:
a. Press REMINDER button "A" to activate the function. The LED display shows "00" b. Two seconds later, press the "▲" or "▼" button to adjust the reminder time only when the display screen flashes. The default time of the reminder is 45 minutes, which is shown as "45". Then press any button to save the time setup, or wait 5 seconds and system will save the time setup automatically. During the countdown, any operation will lead to a repeat starting of the timer. When the countdown finishes, display screen will show "00" the buzzer will be active with a 10-second "DiDi...DiDi...DiDi...tone."
c. Within the 10-second reminder buzz, press any button to reactivate the time countdown that is set up in (b) step. If no operation during the 10-second reminder buzz, there will be another reminder buzz after 5 minutes. No operation during the second buzz will turn off the Long-Time Sitting Reminder.
d. Press and hold the "A" button for three seconds to turn off the Long-Time Sitting Reminder. The LED display shows "off".
- Collision Sensitivity Changing Function-- this function is available only with the [CB38M2A (1B) -1] control box
a. Press "▲" and "▼" at the same, and the sensitivity of the anti-collision system can be adjusted. There are 3 levels of the sensitivities, repeat this operation to change extents of sensitivities.
b. "8-1" in display represents low sensitivity; "8-2" in display represents medium sensitivity; "8-3" in display represents high sensitivity.
c. During height adjustment, when tabletop comes in contact with another object, it instantly stops and reverses to avoid damage.
- Troubleshooting:
a. Reset: When the LED shows "RSF", press "▼" button until the desk reaches its lowest height and rebounds to stop, it means the reset has been finished.
b. When it doesn't work and the LED shows "E01" or "E02", please retry 18 mins later.
c. If the "▼" button doesn't work, please check the cable connection and then cut off the power for at least 10 seconds. Reconnect to the power and press "▼" button to start the reset process when it shows the "RSF".
d. If all these above process are inefficient, plz contact your customer service.

Common fault treatment

The following tips will help you detected and eliminate the common fault and error. If the fault you met is not listed below, please contact with your supplier. Only the manufacturer and professionals are capable for investigating and correcting those fault and error.

Fault phenomenon	Method
No response while long pressing down arrow after connected with a power supply	1. Check if all the cables be connected well 2. Contact your supplier or dealer
No response while pressing up arrow/ down arrow after connected with a power supply	1. Check if all the cables be connected well 2. Contact your supplier or dealer
Rising in a low speed	1. Check if overloaded, max loading: 125kg; 2. Contact your supplier or dealer
The motor not move as instructed	1. Contact your supplier or dealer
Go down but not go up	1. Reposition 2. Contact your supplier or dealer
Downward sliding	1. Check if overloaded, max loading: 125kg; 2. Contact your supplier or dealer
Frequently Reposition	1. Check if overloaded, max loading: 125kg; 2. Contact your supplier or dealer
Overwork (Duty cycle: Max 2min on/18min OFF)	1. Restart after suspend for 18mins while connecting with power; 2. Contact your supplier or dealer;
Not enough up&down height	1. Press "M" and "3" together for 3 seconds or more, after hearing continuous beeping for twice, it will restore factory settings 2. Contact your supplier or dealer

Attention

1. Power supply: AC100V-240V,50/60Hz
2. Service Environment: 0-40°C
3. Unplug the power plug before cleaning, wipe the dust on surface with slight wet dishcloth when cleaning, be careful not to let the drops into the internal parts, not loose the connector.
4. The electric box contains electronic components, metals, plastics, wires etc., so dispose of it in accordance with each country's environmental legislation, not the general household waste.
5. Check carefully to ensure correct and complete assembly before using.
6. Be familiar with all functions and program settings of the product before first use.
7. Children are forbidden to play on the product because of unforeseen action when playing, so any dangerous consequences caused by this improper action will not be on
8. Slight noise caused by the V-ribbed belt or brake system due to structure will not have any effect on the use of the equipment.
9. Corrosive or abrasive materials are forbidden to clean the equipment. Must ensure that the cleaner used will not pollute the environment.
10. This appliance can be used by children aged from 8 years and above and persons with reduced physical, sensory or mental capabilities or lack of experience and knowledge if they have been given supervision or instruction concerning use of the appliance in a safe way and understand the hazards involved. Children shall not play with the appliance.
11. Cleaning and user maintenance shall not be made by children without supervision.
12. If the supply cord is damaged, it must be replaced by the manufacturer, its service agent or a similarly qualified person in order to avoid a hazard.
13. Please make sure there is no hazard sources in your operating environment. e.g., do not litter the tools around. Always be careful to treat the packaging materials in order to avoid any possible danger, e.g. plastic bag may lead to choking hazard to children.
14. Keep the original package of the equipment if necessary in case of the future use in transportation.

Waste disposal



This marking indicates that this product should not be disposed with other household wastes. To prevent possible harm to the environment or human health from uncontrolled waste disposal, recycle it responsibly to promote the sustainable reuse of material resources. To return your used device, please use the return and collection systems or contact the retailer where the product was purchased. They can take this product for environmental safe recycling.